

<b>RoHS Compliant Pb - Lead Free</b>	Ltr	Revisions	Date	Appr

**Electrical Specifications:**

Frequency Range		12.000 to 52.000	MHz
Mode of Oscillation	Fundamental	12.000 to 52.000	MHz
Frequency Tolerance at 25°C	Standard	±30	PPM Max
	Optional	±25	
		±20	
		±15	
		±10	
Frequency Stability over Temperature Range	Standard	±50	PPM Max
	Optional	±30	
		±25	
		±20	
		±15	
Operating Temperature Range	Standard	-10 to +70	°C
	Extended	-40 to +85	
Storage Temperature Range		-55 to +125	
Aging		±3	PPM Max/Year
Load Capacitance		10 to 32 and Series Resonance	pF
Shunt Capacitance		5.0	
Equivalent Series Resistance(ESR)		See ESR Table	Ohm
Drive Level		100	uW Typ
Insulation Resistance		500 at 100 Vdc ± 15 Vdc	M Ohm

**Frequency Range and ESR Values:**

Frequency Range in MHz	ESR Ohm Max	Mode of Operation
12.000 to 19.999	50	Fundamental
20.000 to 29.999	40	Fundamental
30.000 to 52.000	30	Fundamental



11-3 Chien-Kuo Rd T.E.P.Z. 4027 Taiwan, ROC

All dimensions are millimeters.

CAD: TCR

Review: EG

Appr: JL

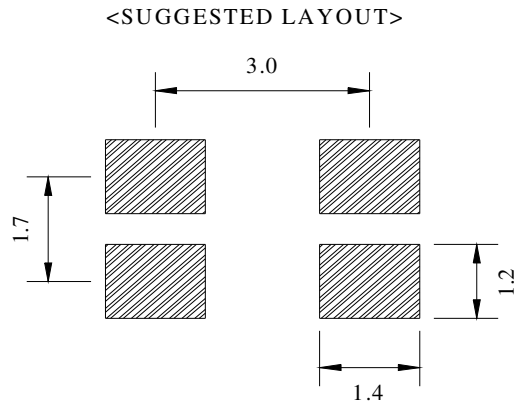
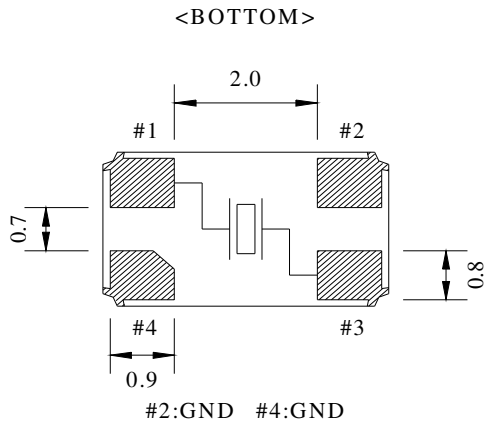
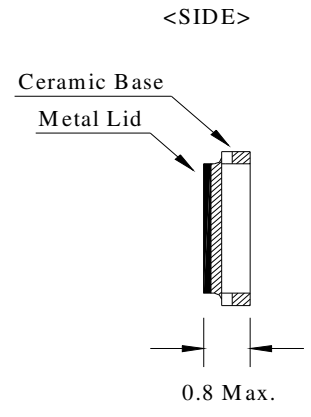
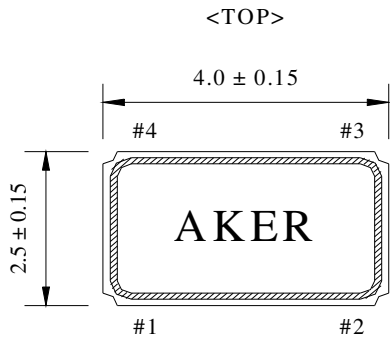
Page: 1/4 Date: Nov 20,2018

**Specification Title:**

**Microprocessor Crystal Unit  
Low Profile  
2.5 x 4.0 millimeter Surface Mount  
General Product Specification**

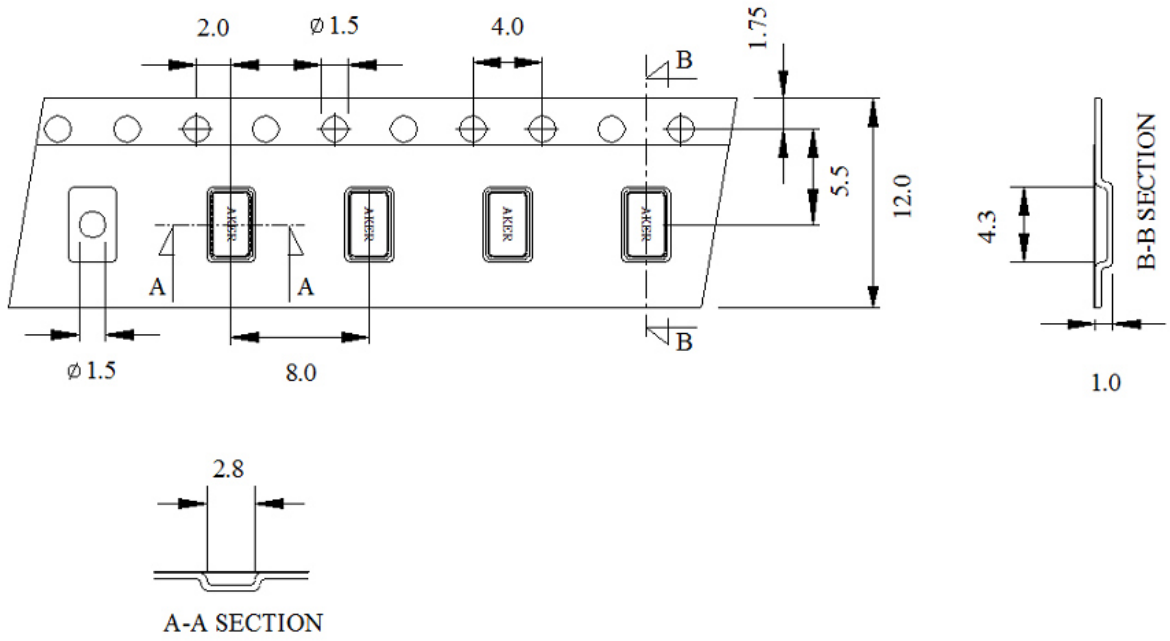
**Part Number: C4S Series**

**Mechanical Outline:**



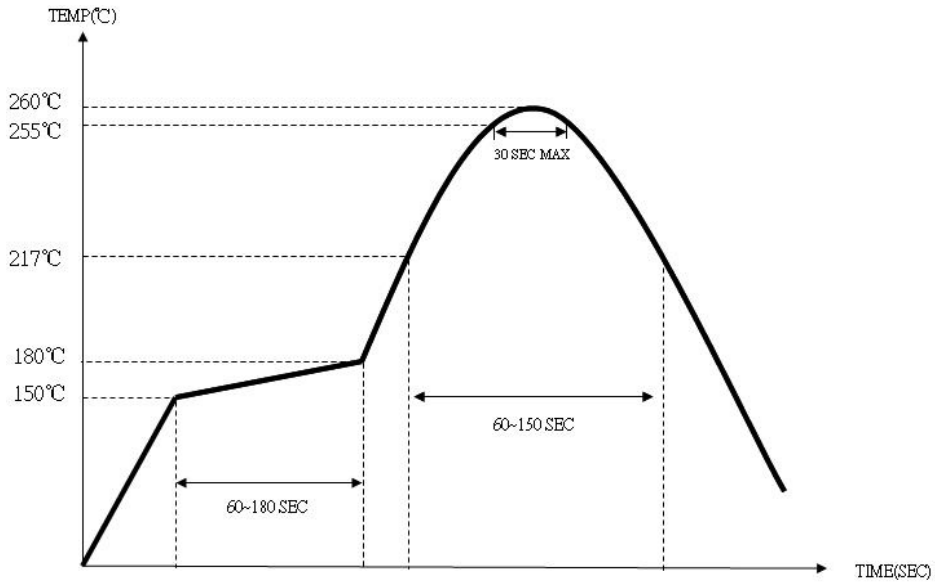
**Package is Seam Sealed Ceramic-Metal.  
Dimensions are millimeters.**

**Carrier Tape Dimensions:**



**Dimensions are millimeters.**

**Solder Reflow Characteristics:**



**How to build a Part Number:**

<b>Series</b>		<b>C</b>	<b>Parameter</b>	
<b>Package</b>		<b>4S</b>	<b>4.0 x 2.5 mm</b>	
-				
<b>Frequency</b>		<b>12.000 to 52.000</b>	<b>MHz</b>	
-				
<b>Load Capacitance</b>		<b>10</b>	<b>10 pF</b>	
		<b>12</b>	<b>12 pF</b>	
		<b>16</b>	<b>16 pF</b>	
		<b>18</b>	<b>18 pF</b>	
		<b>20</b>	<b>20 pF</b>	
		<b>32</b>	<b>32 pF</b>	
		<b>S</b>	<b>Series</b>	
-				
<b>Frequency Tolerance</b>		<b>Standard</b>	<b>30</b>	<b>±30PPM</b>
		<b>Option</b>	<b>25</b>	<b>±25PPM</b>
			<b>20</b>	<b>±20PPM</b>
			<b>15</b>	<b>±15PPM</b>
			<b>10</b>	<b>±10PPM</b>
<b>Frequency Stability</b>		<b>Standard</b>	<b>50</b>	<b>±50PPM</b>
		<b>Option</b>	<b>30</b>	<b>±30PPM</b>
			<b>25</b>	<b>±25PPM</b>
			<b>20</b>	<b>±20PPM</b>
			<b>15</b>	<b>±15PPM</b>
			<b>10</b>	<b>±10PPM*</b>
-				
<b>Mode of Oscillation</b>		<b>See Notes</b>	<b>Fundamental</b>	
-				
<b>Temperature Range</b>		<b>Standard</b>	<b>See Notes</b>	<b>-10 to +70 °C</b>
		<b>Option</b>	<b>X</b>	<b>-40 to +85 °C</b>
-				
<b>Packaging</b>		<b>R</b>	<b>Tape and Reel</b>	

**Part Number Example:**

**C4S-16.000-32-3050-R**  
**C4S- 2.5 x 4.0 mm SMD Seam Seal Ceramic-Metal Package**  
**16.000 MHz Nominal Frequency**  
**32 pF Load Capacitance**  
**3050: ±30 PPM Frequency Tolerance and ±50 PPM Frequency**  
**Stability Fundamental Mode**  
**-10 to +70° C Temperature Range**  
**R: Tape and Reel Packaging**

**Notes:**

- 1- Fundamental mode does not need to be included in Part Number description.  
 \* ±10 PPM Temperature Stability is only available from -30 to +85° C.
- 2- Standard Temperature Range does not need to be included in Part Number description.
- 3- Product is shipped in Tape and Reel configuration. Each reel contains 1000 pieces.
- 4- Quantities less than 1000 are shipped bulk in ESD pouches.
- 5- Specification subject to change without notice

Page: 4/4	Date: Nov 20,2018	P/N: <b>C4S Series</b>	
-----------	-------------------	------------------------	--