

RoHS Compliant
Pb - Lead Free
AEC-Q200 Qualified

Ltr	Revisions	Date	Appr

Electrical Specifications:

Frequency Range	24.000 to 48.000		MHz
Mode of Oscillation	Fundamental		
Frequency Tolerance at 25°C	Standard	±30	PPM Max (Note 1)
	Optional	±25	
		±20	
		±15	
		±10	
Frequency Stability over Temperature Range	Standard	±50	PPM Max (Note 1)
	Optional	±30	
		±25	
		±20	
		±15*	
Operating Temperature Range	Standard	-20 to +70	° C
	Extended	-40 to +85	
Storage Temperature Range	-55 to +125		
Aging	±3		PPM Max/Year
Load Capacitance	6 to 32 and Series Resonance		pF
Shunt Capacitance	3.0		
Equivalent Series Resistance (ESR)	See ESR Table		Ohm
Drive Level	100		uW Max

Frequency Range and ESR Values:

Frequency Range in MHz	ESR Ohm Max	Mode of Operation
24.000 to 29.999	120	Fundamental
30.000 to 36.999	100	Fundamental
37.000 to 48.000	80	Fundamental



11-3 Chien-Kuo Rd T.E.P.Z. 4027 Taiwan, ROC

All dimensions are millimeters.

CAD: TCR

Review: EG

Appr: JL

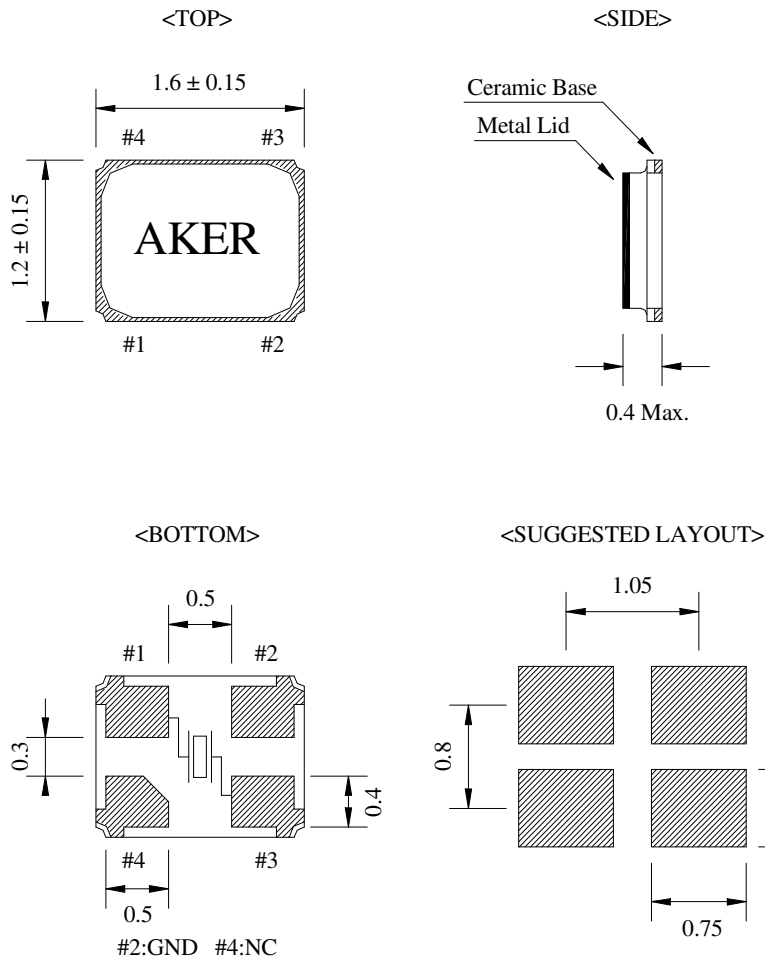
Page: 1/4 | Date: May 25, 2017

Specification Title:

**Microprocessor Crystal Unit
Low Profile
1.2 x 1.6 millimeter Surface Mount
General Product Specification**

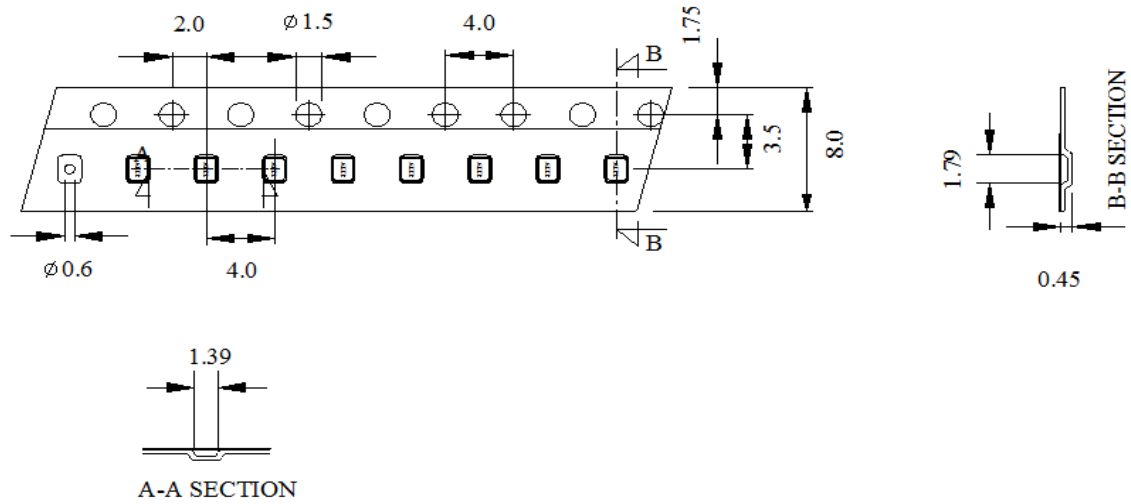
Part Number: **C16 Series**

Mechanical Outline:



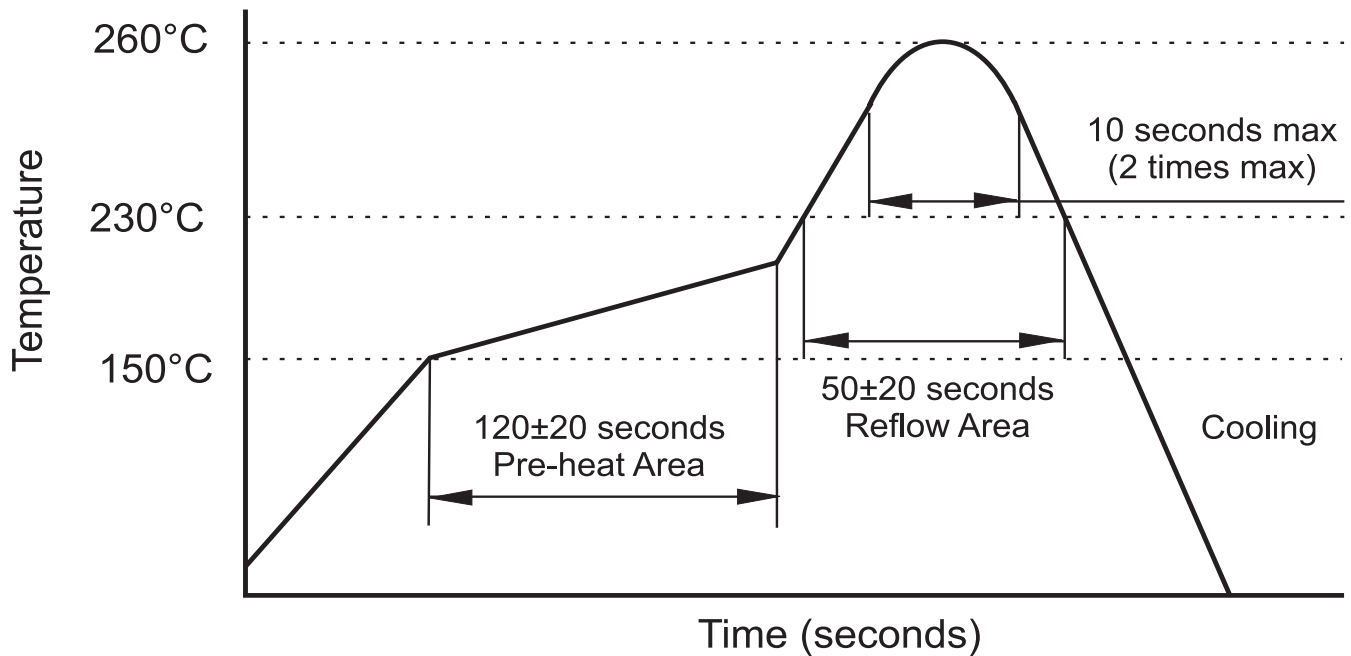
**Package is Seam Sealed Ceramic-Metal.
Dimensions are millimeters.**

Carrier Tape Dimensions:



Dimensions are millimeters.

Solder Reflow Characteristics:



How to build a Part Number:

Series		C	Parameter
Package		16	1.6 x 1.2 mm Seam Seal
		-	
Frequency		24.000 to 48.000	MHz
		-	
Load Capacitance		6	6 pF
		10	10 pF
		12	12 pF
		16	16 pF
		18	18 pF
		20	20 pF
		32	32 pF
		-	
Frequency Tolerance (Note 1)	Standard	30	±30 PPM
	Option	25	±25 PPM
		20	±20 PPM
		15	± 15 PPM
		10	±10 PPM
Frequency Stability (Note 1)	Standard	50	±50 PPM
	Option	30	±30 PPM
		25	±25 PPM
		20	±20 PPM
		15	±15 PPM*
		-	
Temperature Range	Standard	See Notes	-20 to +70 °C
	Extended	X	-40 to +85 °C
		-	
Packaging		M	250pcs Reel
		R	1000pcs Reel
		R3	3000pcs Reel

Part Number Example:

C16-40.000-10-3030-X-R

C16- 1.6 x 2.0 mm SMD Seam Seal Crystal Unit

40.000 MHz Nominal Frequency

10 pF Load Capacitance

3030: ±30 PPM Frequency Tolerance and ±30 PPM Frequency Stability

-40 to +85° C Temperature Range

R: Tape and Reel Packaging - 1000pcs

Notes:

1- Frequency Tolerance and Stability options are limited due to physical size.

2- Product is shipped in Tape and Reel configuration.

4- Quantities less than 250pcs are shipped bulk in tape only

5- Specification subject to change without notice.